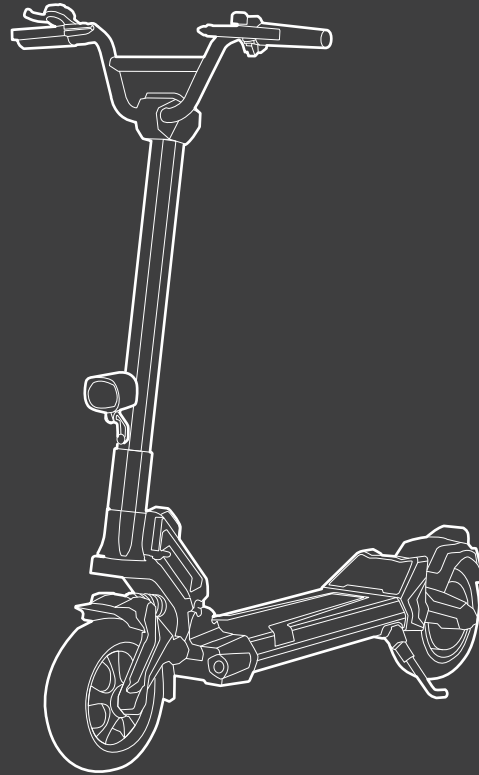


DUALTRON
TOGO LIMITED

Personal Mobility

PRODUCT MANUAL



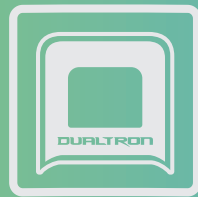


Scan the QR code to download the latest user materials
and obtain the latest updates and safety instructions.

DUALTRON

The dream of electric technology.

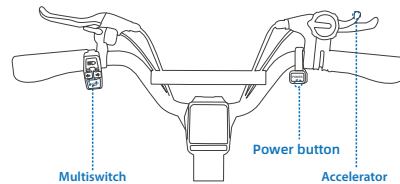
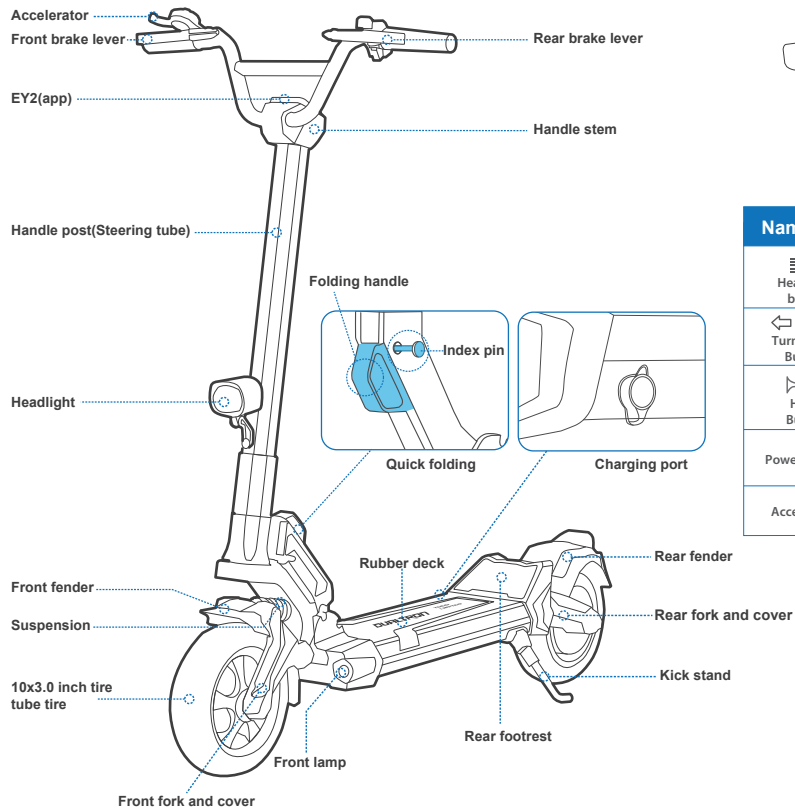
Pictures for reference only, subject to our existing products.


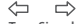



MINIMOTORS



Diagram And Functions



Name	Function	Operation method
 Headlight button	Turn on/off headlight	Press the light button, turn on/off the headlight.
 Turn Signal Button	Turn on/off the left/right signal	Press the left/right arrow of the Turn Signal Button, the left/right turn signal will keep blinking.
 Horn Button	Turn on the horn	Press the Horn Button, the scooter will beep once.
Power Button	Turn on/off power	Press and hold the Power Button to turn on /off the scooter
Accelerator	Speed up	Pull the throttle to accelerate.



Specifications

	Item	Parameter	
Product	Model	Dualtron Togo Ltd	
Battery	Battery Capacity	60V12Ah CN	60V15Ah (LG / Samsung)
	Range	38km	47km
	Charging Ambient Temperature	0 to 40°C (Battery temperature exceeds 55°C,BMS start protection program.)	
	Battery Management System	Over-heating, short circuit, over-current, over-discharge and over-charge protection	
Rider	Max. load	100kg	
	Recommended Age	14–60 years old	
Display	Type	EY2 display(DUALTRON APP available)	
Motor	Motor Type	BLDC Hub Motor	
	Nominal Power	900W	
Machine	Net Weight	Around25kg	
	Max. Slope	Around26.8%[15°]	
	Drive System	Single motor drive	
	Speed	25km/h	
	Length × Width × Height	1260x635x1220mm	
	Folded: Length × Width × Height	1230x635x460mm	
	Wheelbase	Approx.985mm	
	Ground Clearance	130mm	
	Traversable Terrain	Asphalt/flat pavement; obstacles < 5 cm; gaps < 5 cm	
	Operating Temperature	-5 to 45°C	
	Storage Temperature	-20 to 50°C	



Specifications

Brake	Type	Disc brake
	Electric Brake	ABS&EBS (Indicating the battery temperature exceeds 55°C,BMS start protection program,ABS/EBS fails.)
Charger	Input Voltage	100-120V/200-240V~
	Max. Output Voltage	66.4V1.75A
Tire	Type	10x3.0 inch tire
	Tire Pressure	250 KPA
	Material	Rubber
Suspension	Type	Front&rear spring suspension

*Disclaimer: this is not a legal opinion or legal advice. The information provided herein (including in the App) is for your convenience and information purpose only. It is not intended to cover every piece of law and/or regulation that may be applicable to this product. DUALTRON explicitly hereby disclaims any and all warranty and/or representation, express or implied, related to completeness, accuracy, up-to-date of such information. DUALTRON reserves the right but not obligation to correct, implement and/or update the information. You shall use the information at your own risk. It is your sole responsibility to learn and understand any and all the law and/or regulation, requirements, prohibition, restriction and/or limitation imposed by either law, government authority, court, private party or the others that may apply to your use of this product.

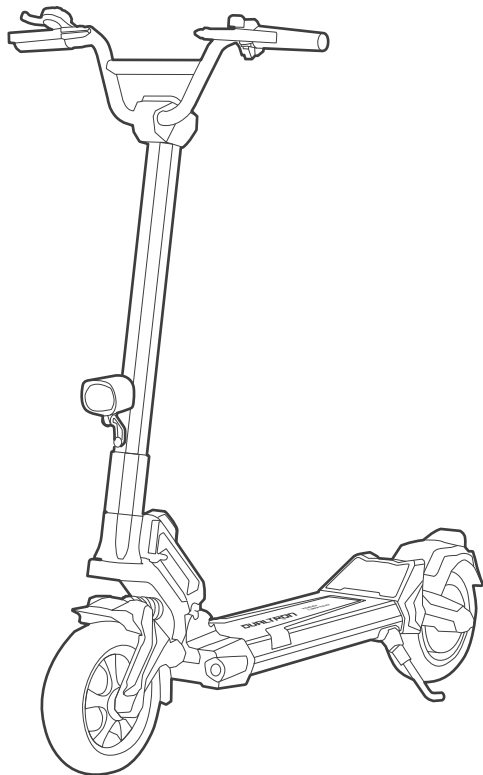
*Theoretical Range: tested while riding with a full battery, 75 kg load, 25°C, at the speed of 25 km/h on average on pavement.

*Typical Range: tested while riding with a full battery, 75 kg load, 25°C, at the speed of 50 km/h on average on pavement. (Some of the factors that affect range include speed, number of starts and stops, ambient temperature, etc.)

*Max.Speed: tested while riding with a full battery,75kg load,25°C,straight road on flat road with no wind. (Some environmental factors can affect max speed,uneven roads, crooked roads, temperature, wind, etc.)



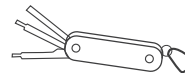
Packing List



Accessories



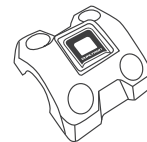
Charger x1



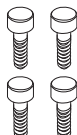
Multitool x 1



Manual



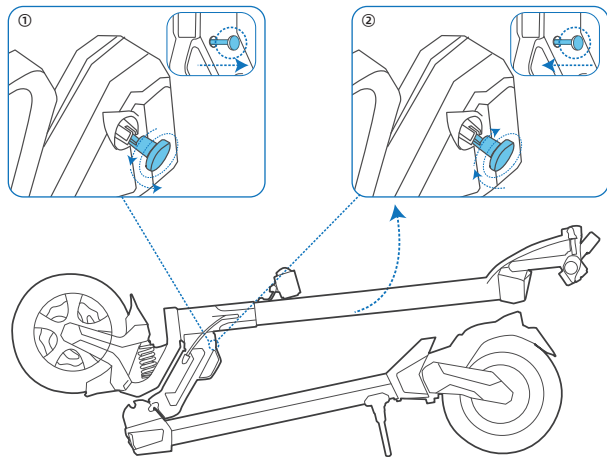
Handle neck upper



4 screws

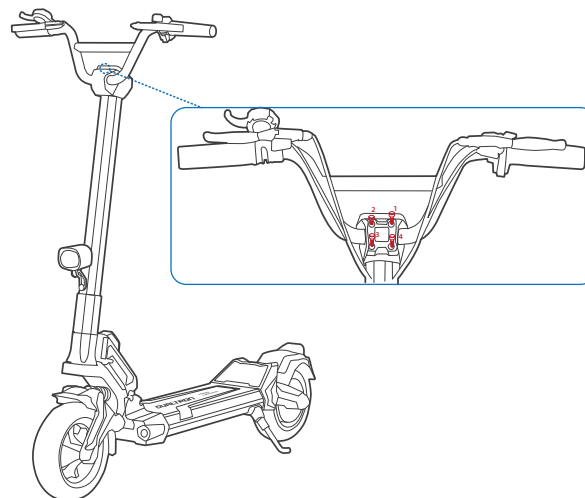


Assembly



① Pull the index pin outward, then rotate it slightly to ensure a secure fit, the index pin will get stuck and the folding handle will work.

② Raise the steering tube and remember to reinsert the index pin to make this folding system more secure.



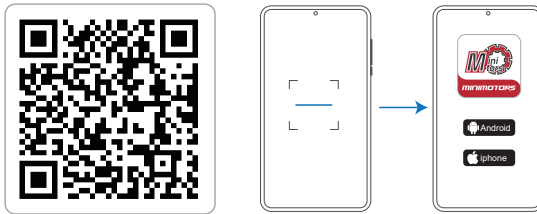
③ Attach the handlebar body and tighten the 4 screws. (When tightening the screw, the first step screw is 90% tight, according to the order 1-3-2-4; the second step all screws are 100% tightened.)



Bluetooth Connection

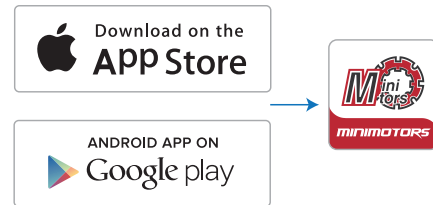
APP Download Guide

Method 1



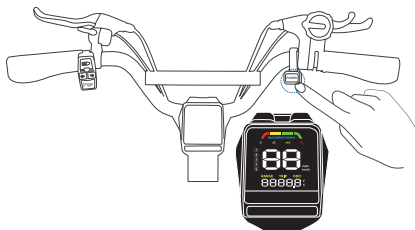
1. Scan the QR code to download the APP.
2. Choose the mobile phone system that suits you to install, and register / log in.

Method 2

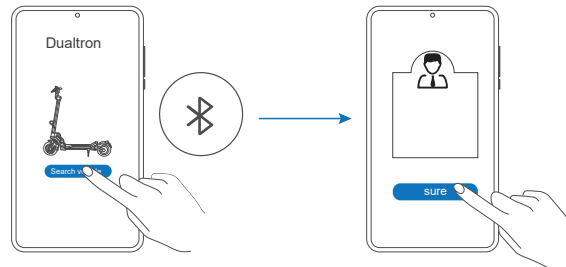


1. Search "DUALTRON" in the application and download it, and register / log in.

Pair the Bluetooth on the APP



Power on the scooter.

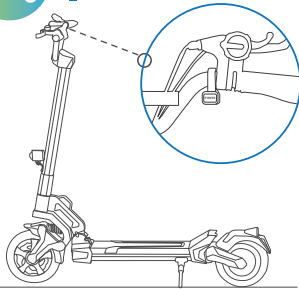


Click "Search vehicle" and pair with your scooter. * The scooter is connected to the Dualtron app when the Bluetooth symbol lights up.

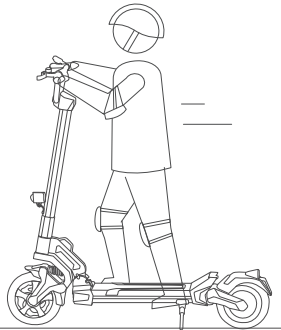
Select "bind as owner". (No one else can connect, only people authorized by you are allowed to connect. Authorizations are created on the app.)



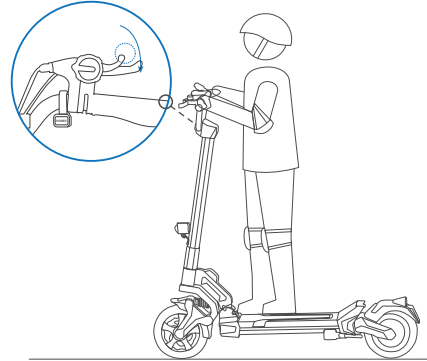
How to Ride



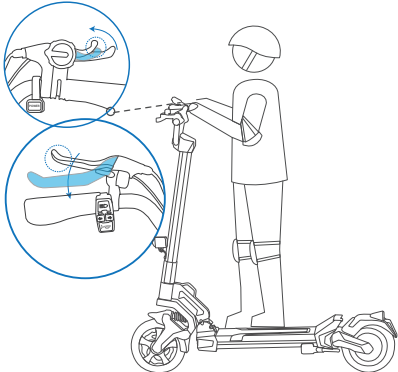
1. Power on the scooter and choose the speed mode. * Please choose the speed mode before riding! Note: Speed mode can be choose via the Dualtron app.



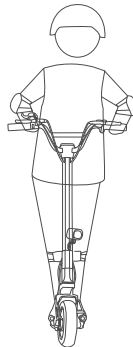
2. Stand on the footboard with one foot and push off with the other foot to start gliding. *Make sure you have disabled SAFE mode.(SAFE mode setting via Dualtron app.Deactivate safe mode by squeezing brake lever.)



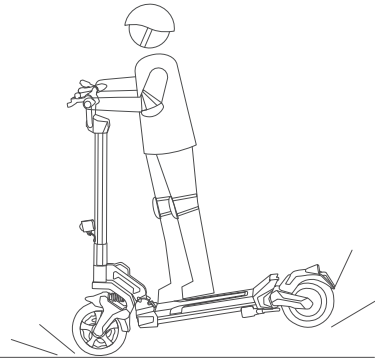
3. Put both feet on the footboard and stand stably. Pull the accelerator to speed up.



4. Slow down by releasing the accelerator and squeezing brake levers.



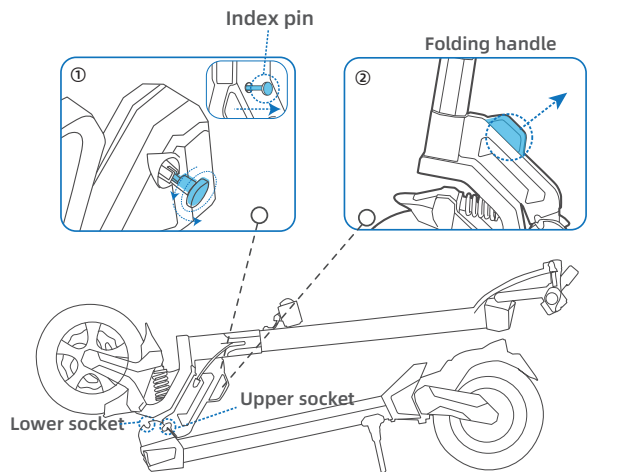
5. To turn, shift your body and turn the handlebar slightly. * Please watch out for road conditions, sufficient turning space is required.



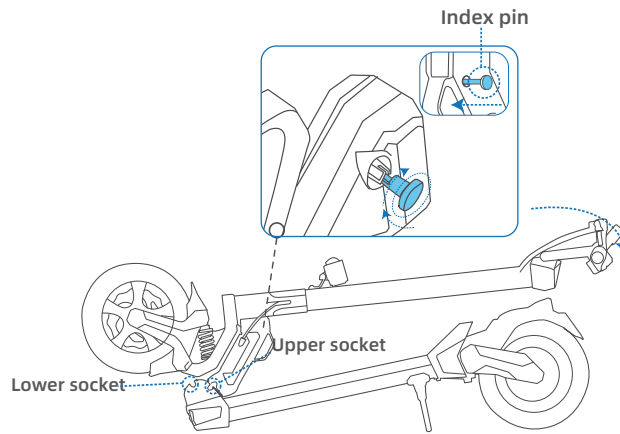
When hard braking, serious danger or injury may occur. Maintain a moderate speed and look out for potential hazards.



Folding



- ① Pull the index pin outward, then rotate it slightly to ensure a secure fit, the index pin will get stuck and the folding handle will work.
- ② Pull the folding handle, folding plunger will come out of the upper socket and slip to lower socket.



When the folding plunger gets stuck in lower socket and the folding handle resets in the stem headset, please remember to insert the index pin back to fix the folding system.

